

MODEL 927195

Bariatric Electric Tilt Table

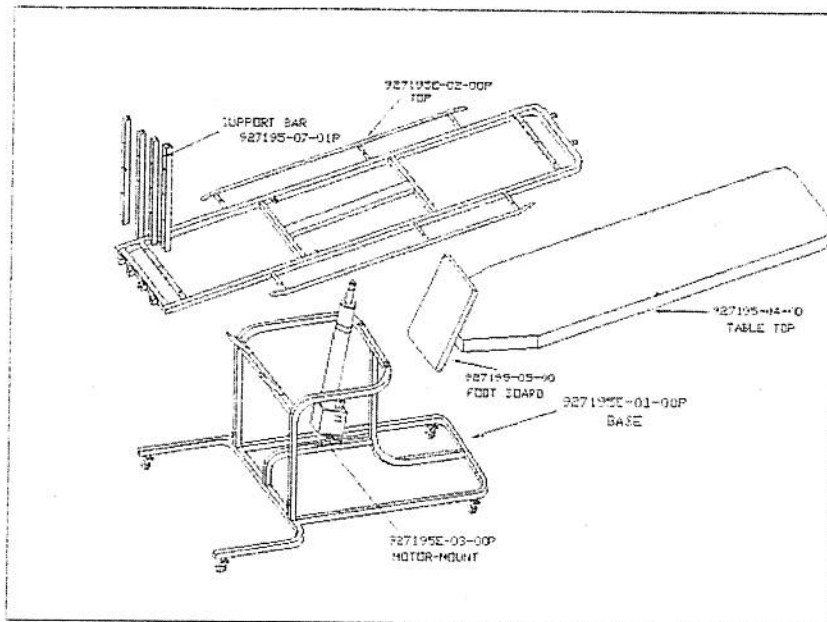


Table of Contents

General Purpose	Page 1
Specifications	Page 1
Installation Instruction	Page 2
Warranty	Page 2
Parts List	Page 3

Sammons/Preston, P. O. Box 5071, Bolingbrook, IL 60440-5071, 800-631-7277

GENERAL PURPOSE

Provide a safe, comfortable method of raising and lowering a patient for ease of treatment.

SPECIFICATIONS

DIMENSIONS:

Top Length:	78 inches
Top Width:	34 inches
Horizontal Height:	33 inches

WEIGHT:	350 pounds
MAXIMUM LIFTING CAPACITY:	600 lbs.
MAXIMUM UNINTERRUPTED OPERATION:	6 min.

POWER REQUIREMENT:

Motor Power:	1/4 HP
Voltage:	110 Vac to 130 Vac
Current:	3 Amps
Frequency:	60 Hz
Phase:	Single Phase

CASTER TYPE:	Locking
FOOTBOARD MATERIAL:	Wood

Sammons/Preston, P. O. Box 5071, Bolingbrook, IL 60440-5071, 800-631-7277

INSTALLATION INSTRUCTION

Step 1. Uncrate the weight cart and report all shipping damage to carrier immediately.

- Step 2. Check if you have a complete set of parts with the part list (on page 3).
- Step 3. Refer to the illustration drawing on page 4 and use a wrench (not provided) to bolt items 1,2,3 and 4 together.
- Step 4. Use a hammer (or a hard wooden piece) to press the plugs (item 5) on the ends of tubes.

WARRANTY

The model 927195 is guaranteed to free from defects in material and/or workmanship under normal use and service for a period of five years from date of purchase. The above guarantee is null and void if unauthorized repair and/or modification is performed on the unit.

If any of the parts are missing or damaged, please call:

~~1-800-631-7277~~

Sammons/Preston, P. O. Box 5071, Bolingbrook, IL 60440-5071, 800-631-7277

PARTS LIST

Item No.	Description	Quantity
HW 3468	TRW Fastener	1
HW 3469	TRW Fastener	1
HW 3470	TRW Fastener	1
CA 3201	Caster	4
HW 3610	Velcro Strap	3

927195-04-*

Upholstered Top

1

927195-05-*

Upholstered Footboard

1

** Depends on color of upholstery.*

Sammons/Preston, P. O. Box 5071, Bolingbrook, IL 60440-5071, 800-631-7277